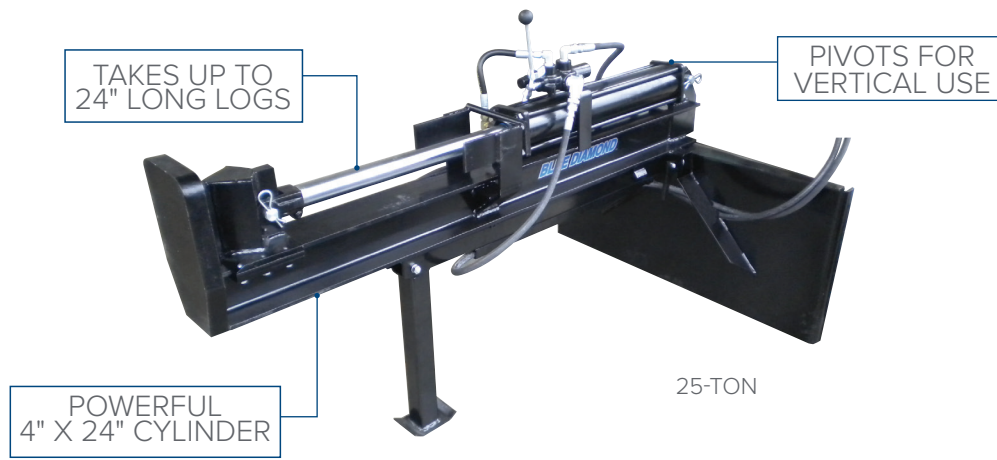


# LOG SPLITTERS



25-TON



35-TON

The Blue Diamond® 25-Ton Traditional Log Splitter can be used horizontally or vertically. The powerful cylinder is controlled by a single easy-to-use lever. It can handle up to a 24” long log with ease.

The Blue Diamond® 35-Ton Inverted Log Splitter takes firewood production to the next level. With the optional 4-way wedge and the 35-ton cylinder, you can split incredible amounts of wood from the comfort of your cab!

PART NUMBER	MODEL	WEIGHT
150000	<b>25-Ton Log Splitter, Traditional</b>	475 lbs
150015	<b>35-Ton Log Splitter, Inverted (Req Wedge)</b>	450 lbs
150017	<b>Single Wedge For 35-Ton Inverted</b>	85 lbs
150018	<b>4-Way Wedge For 35-Ton Inverted</b>	105 lbs

888-376-7027

info@bluediamondattachments.com

BlueDiamondAttachments.com

888-377-7027

4512 Anderson Rd., Knoxville, TN 37918

Monday - Friday, 8am - 5pm EST

